



MEHSANA DISTRICT CO-OPERATIVE MILK PRODUCERS' UNION LIMITED

MEHSANA 384002 India
Phone: 02762-253201 TO 253205
REQUEST FOR QUOTATION

(ISO Doc No :)

One Time Vendor	4000010	RFQ No.:	M610125023	Date: 20.07.2021
India		Collective No.:	0000211006	
		Doc. Type:	ZR01 Manual RFQ - Mat	
		POrg:	MP00 Central PORG-Mehsana	
		PGroup:	M05 Cap Goods Purchase	
		Quotation Deadline:	29.07.2021	
		Our Reference:	vhcic	
		Created By :	ENGPUR MEH	
Your GSTN :		Our GSTN : 24AAAAM0329F1Z6		

Dear Sir,

We invite quotation for supply of following items:

Subject: Purchase Enquiry for Materials

Sr. No.	Material	HSN/S AC	Short Text	Qty	OUn	Delivery Date	Plant	Mat. Grp
1	4000014	940310 10	TABLE-STEEL	4	EA	01.08.2021	MM03	CP0000005
2	4000062		BENCH	8	EA	01.08.2021	MM03	CP0000005

Goods to be supplied subject to terms and conditions as per enclosed Annexure/s.

Please ensure that your sealed quotation reach us before deadline date, complete with necessary annexure.

Thanking You,

For, Purchase Department
MEHSANA DISTRICT CO-OPERATIVE MILK PRODUCERS' UNION LIMITED



MEHSANA DISTRICT CO-OPERATIVE MILK PRODUCERS' UNION LIMITED

MEHSANA 384002 India
Phone: 02762-253201 TO 253205
REQUEST FOR QUOTATION

(ISO Doc No :)

RFQ: M610125023

Annexure : 1

Date: 20.07.2021

Delivery Location, Item Classification and Item text

Item	Material	Material Description
1	4000014	TABLE-STEEL

Plant: MM03 Manufacturing Plant, Vihar Vihar Chilling center,,Gandhinagar,382810
CAPITAL INDENT FOR SS-304 TABLE, AS PER APPROVED PROPOSAL NO:VPP/JUN-2021/77 , ASSET NO:8001000111.

The detailed specification is as under below.

Material : SS 304 Rectangular Table with leg foot cover rubber cap
L = 1830 mm , B = 762 mm , H = 762 mm
Top plate thickness = 2 mm
Table Leg box pipe : 40 X 40 mm
Supply material as per attached drawing and technical details.
Suggested Vendor : Jay goga steel Engineering

Kindly Contact Mr. P N Patel 75748 63558 [for Material Detail & Technical Discussion only]

Item	Material	Material Description
2	4000062	BENCH

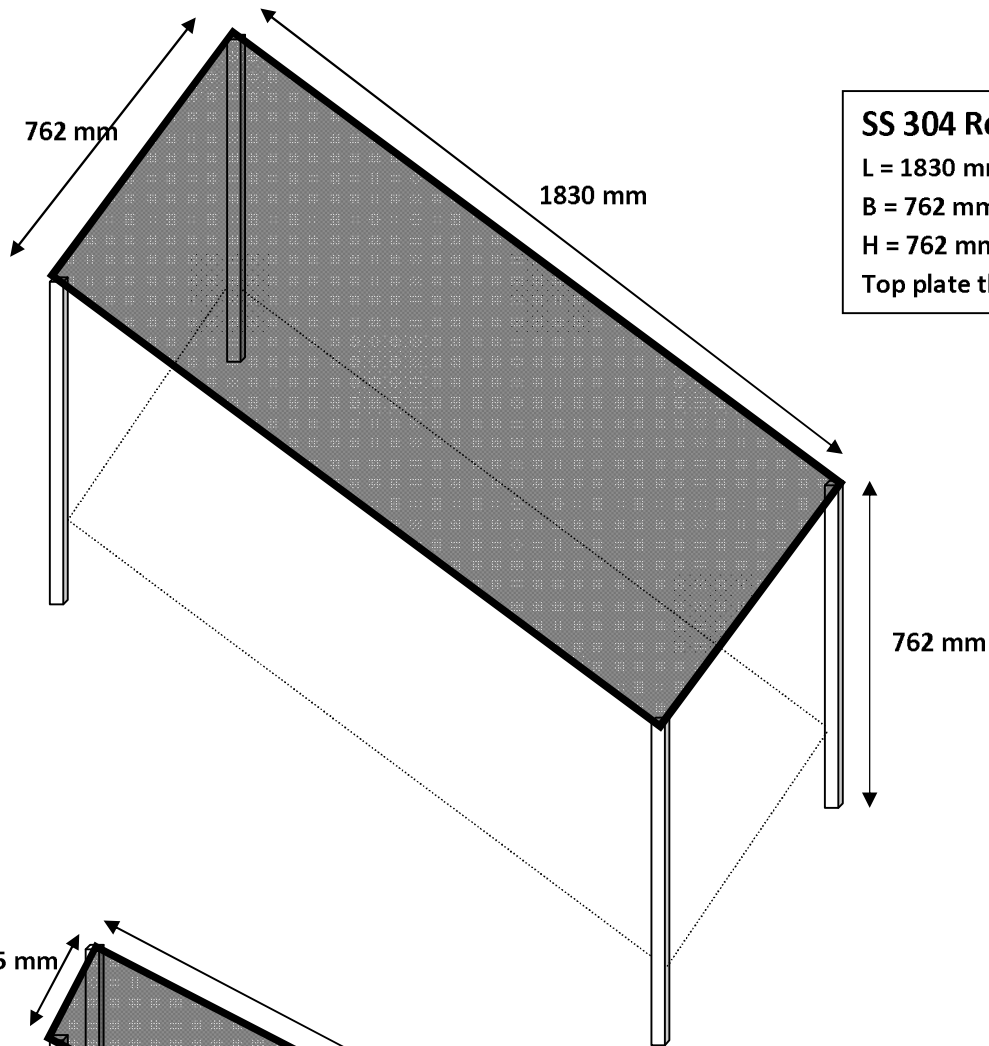
Plant: MM03 Manufacturing Plant, Vihar Vihar Chilling center,,Gandhinagar,382810
CAPITAL INDENT FOR SS-304 BENCH AS PER APPROVED PROPOSAL NO:VPP/JUN-2021/77 , ASSET NO:8001000111.

The detailed specification is as under below.

Material : SS 304 Rectangular Bench with leg foot cover rubber cap
L = 1830 mm , B = 305 mm , H = 420 mm
Top plate thickness = 2 mm
Bench Leg box pipe : 30 X 30 mm
Supply material as per attached drawing and technical details.
Suggested Vendor : Jay goga steel Engineering

Kindly Contact Mr. P N Patel 75748 63558 [for Material Detail & Technical Discussion only]

Goods to be supplied subject to terms and conditions available at <http://www.dudhsagardairy.coop/tenders/>



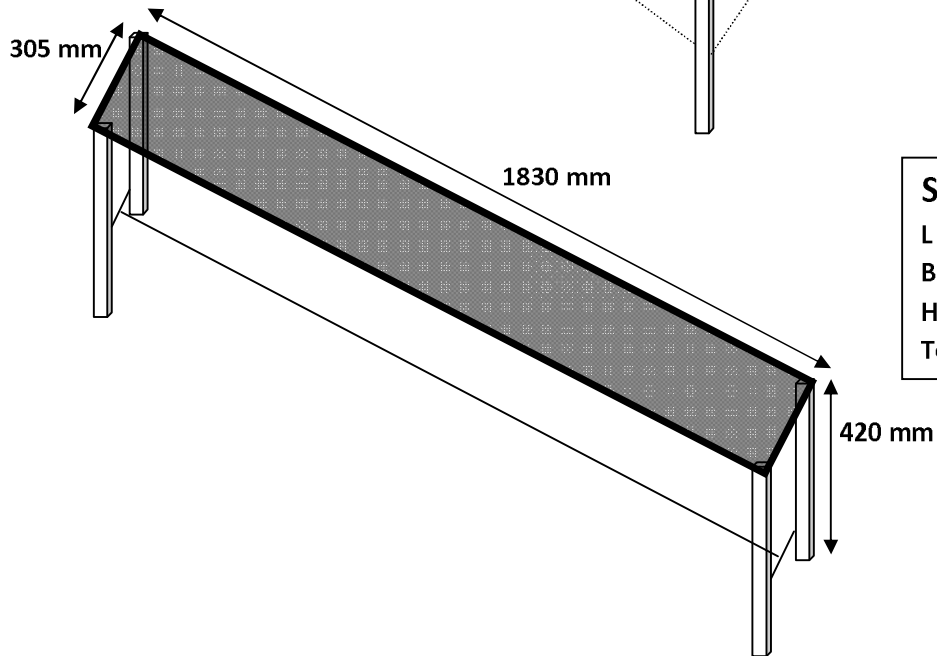
SS 304 Rectangular Table

L = 1830 mm

B = 762 mm

H = 762 mm

Top plate thickness = 2 mm



SS 304 Rectangular Bench

L = 1830 mm

B = 305 mm

H = 420 mm

Top plate thickness = 2 mm

SS 304 table & SS 304 bench with leg foot cover rubber cap.

Table Qty : 04 nos.

Bench Qty : 08 nos.